

AR-F14 Saddle-Stitch Finisher

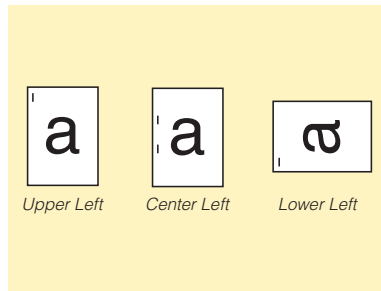


AR-M277 with AR-F14 Saddle-Stitch Finisher

Maximize the output performance of your AR-M237/M277 IMAGERs with easy-to-use, advanced document finishing. With flexible, **three-position stapling** for up to 50 sheets of paper, the AR-F14 Saddle-Stitch Finisher can help you save valuable time. Easily create pamphlets that are neatly stapled along the crease of the document—for truly professional results. And with the optional **Hole-Punch Module**, the AR-F14 Saddle-Stitch Finisher adds even more versatility to your workflow, enabling you to easily insert your documents into binders.

Three Position Stapling Adds Flexibility

With three-position stapling you have more choices to help give your finished document a professional appearance. With available staple positions for the upper left, lower left, or center left sides of your document, you can format your output in either portrait or landscape orientation. And, with the built-in offset function, multiple sets can be easily sorted—saving time.



highlights



AR-F14 Saddle-Stitch Finisher

- Staples up to 50 sheets
- Automatic offset stacking for multiple sets
- Enhanced three-position stapling
- Ergonomic design for easy job retrieval
- Optional Hole-Punch Module
- Accommodates up to four paper trays

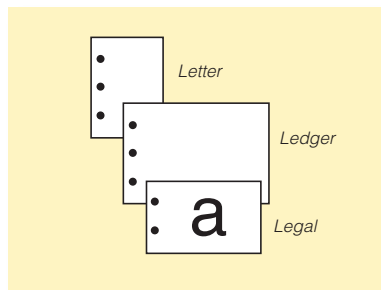
Create Professional Booklets

When using the pamphlet mode, your document can be stapled in two places along the center margin of the page, and then be automatically folded for you.*



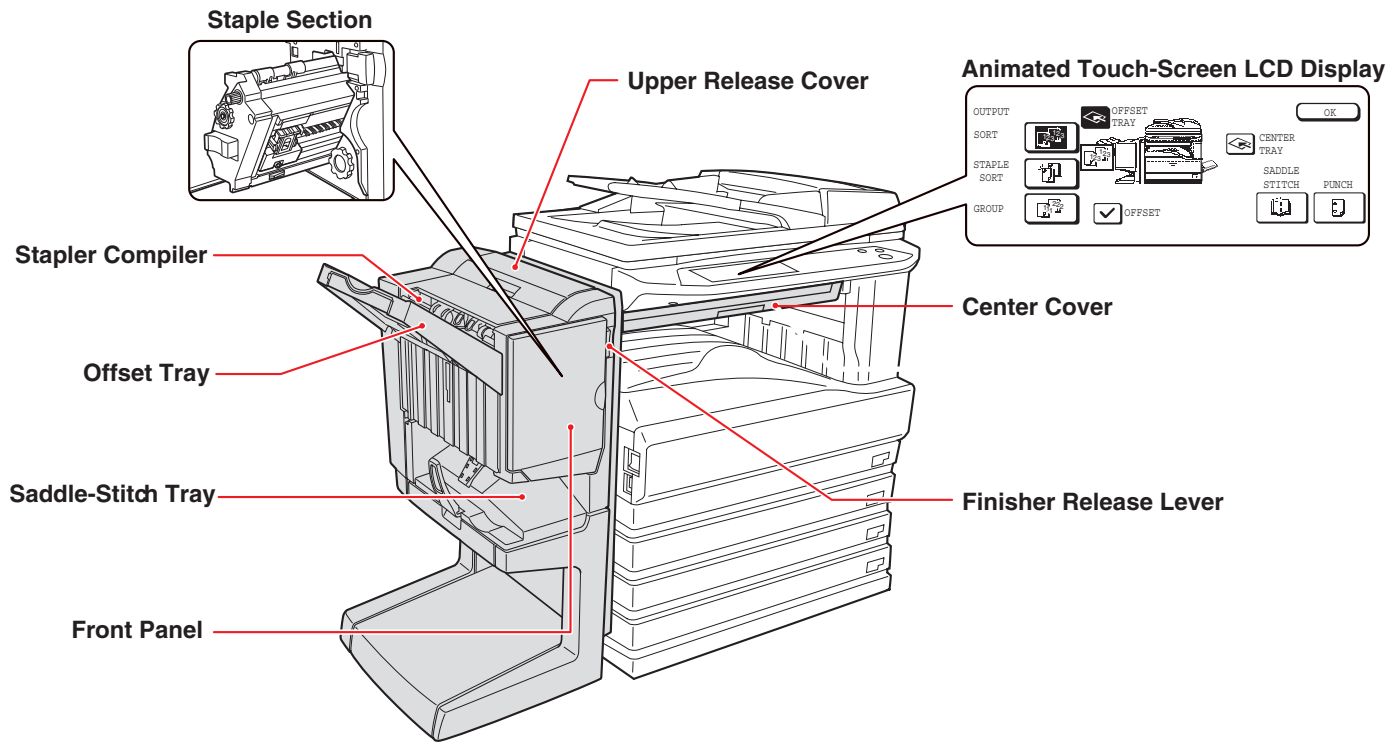
Automatically Hole-Punch Your Documents

With the optional punch module, the AR-F14 Saddle-Stitch Finisher can automatically punch your document with 2 or 3 holes, so your documents can be easily inserted into a binder.**



*On demand in copy mode, print mode requires optional ARP17 Controller.

**Hole-Punch function cannot be used in conjunction with saddle-stitch function, see specifications.



AR-F14 FINISHER SPECIFICATIONS

Name:	Saddle-Stitch Finisher
Number of Trays:	2
Paper Output:	Face down (when using the offset tray)
Tray Types:	Upper tray: Offset tray / Lower tray: Saddle-stitch tray
Tray Capacity:	Upper tray: Without stapling: 8-1/2" x 11"/(21 lbs.) 1,000 sheets max. 8-1/2" x 14"/(21 lbs) 500 sheets max. Stapling: 8-1/2" x 11"/ (21 lbs) 30 sets, 1,000 sheets max. 8-1/2" x 14"/ (21 lbs.) 30 sets, 500 sheets max. Lower tray (saddle stitch): Number of pages that can be stapled: 10 sets x 6-10 pages per set, or 20 sets x 1-5 pages per set
Paper Size:	Upper tray: 11" x 17", 8-1/2" x 14", 8-1/2" x 11", 8-1/2" x 11"R, 5-1/2" x 8-1/2" Lower tray (saddle-stitch): 11" x 17", 8-1/2" x 11"R
Paper Weight:	Upper tray: 16 lbs. to 54 lbs. Lower tray (saddle-stitch): 16 lbs. to 28 lbs.
Paper Type:	Upper tray: plain paper, heavy paper, letterhead paper, recycled paper, color paper Lower tray (saddle-stitch): plain paper, letterhead paper, recycled paper, color paper
Paper Full Detection:	Upper tray/lower tray (saddle-stitch): Yes
Offset Function:	Upper tray only

Allowed Paper Sizes for Stapling:	Upper tray: 11" x 17", 8-1/2" x 14", 8-1/2" x 11", 8-1/2" x 11"R Lower tray (saddle-stitch): 11" x 17", 8-1/2" x 11"R
Number of Pages that can be Stapled:	Stapler Compiler: 8-1/2" x 11": 50 pages/8-1/2" x 14" or 11" x 17": 25 pages Saddle-Stitch: 10 sheets maximum 8-1/2" x 11"R, 11" x 17"
Stapling Positions:	Upper tray: 3 positions (top left staple, two left staples, lower left staple) Lower tray (saddle-stitch): 4-23/32" pitch from center of paper
Saddle-Stitch Function:	Copy mode/print mode with optional AR-P17 Controller
Paper Feeding:	Center reference
Power Supply:	From power unit of AR-M237/M277
Dimensions:	28-1/32" (W) x 23-3/4" (D) x 40-3/64" (H) (with two or four paper trays installed) 28-1/32" (W) x 23-3/4" (D) x 36-7/64" (H) (with three paper trays installed)
Weight:	Approx. 101.4 lbs.(finisher: 86 lbs., joint: 15.4 lbs.)

AR-PN1B HOLE-PUNCH MODULE (OPTIONAL)

Number of Holes:	2 or 3
Page Sizes:	3 holes: 11" x 17", 8.5" x 11" 2 holes: 8.5" x 14", 8.5" x 11"R

Design and specifications subject to change without notice.
Sharp is a registered trademark of Sharp Corporation.
All other trademarks and registered trademarks are property of their respective holders.